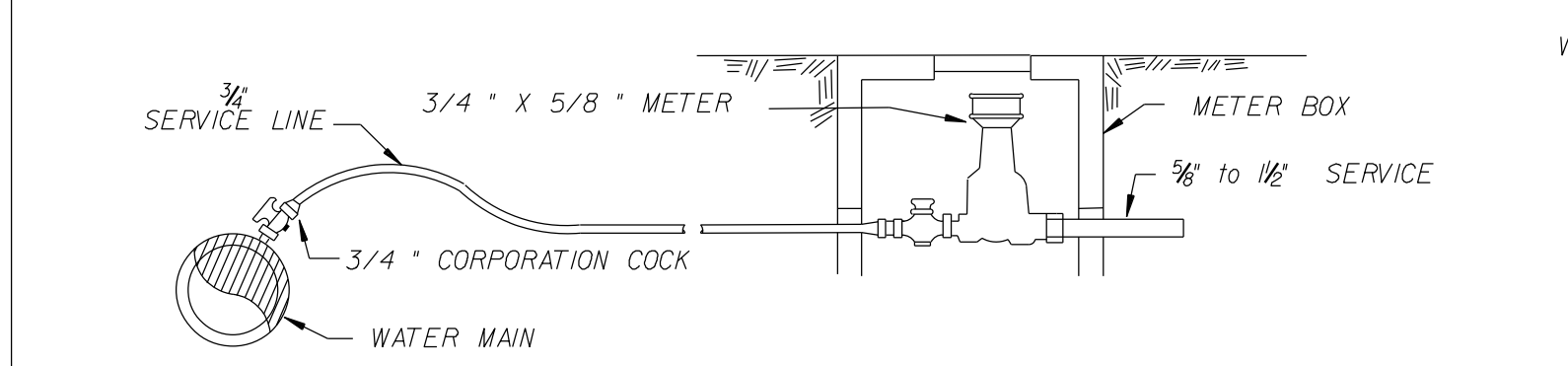
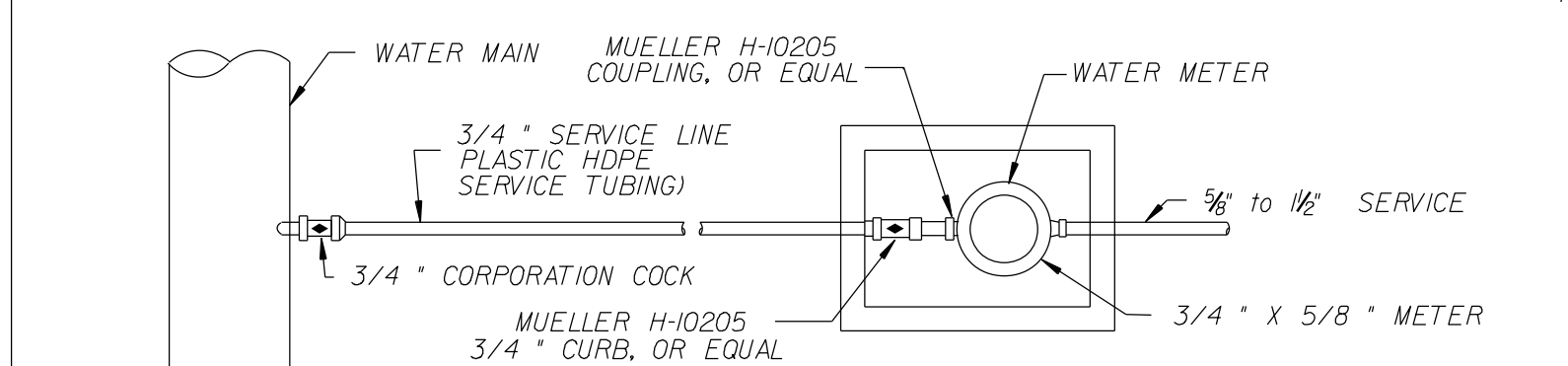


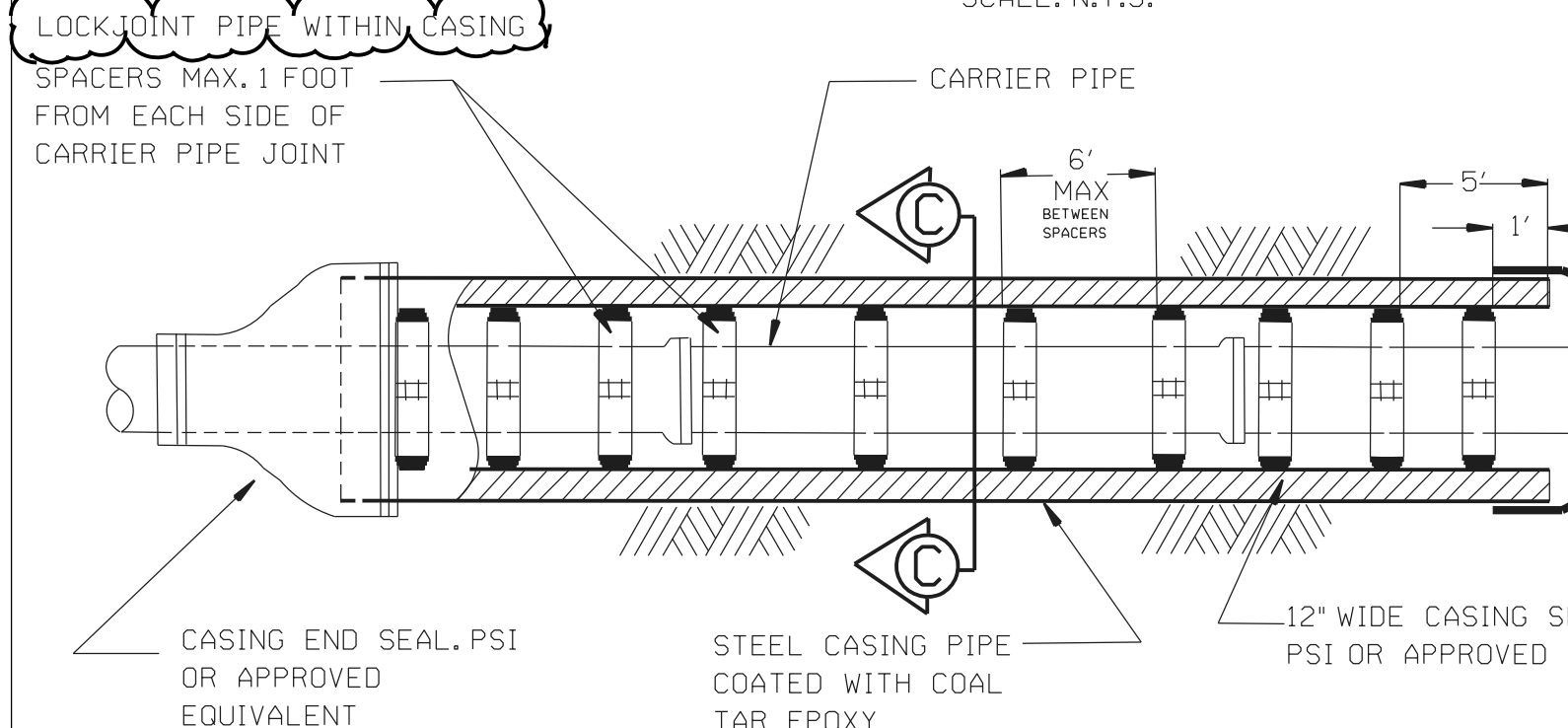
TYPICAL GATE VALVE AND FLUSH VALVE DETAILS



- 1) Notify Baytown Engineering one working day in advance of start work on tap & meter installation
- 2) Meter must be purchased from City prior to tapping City Main.

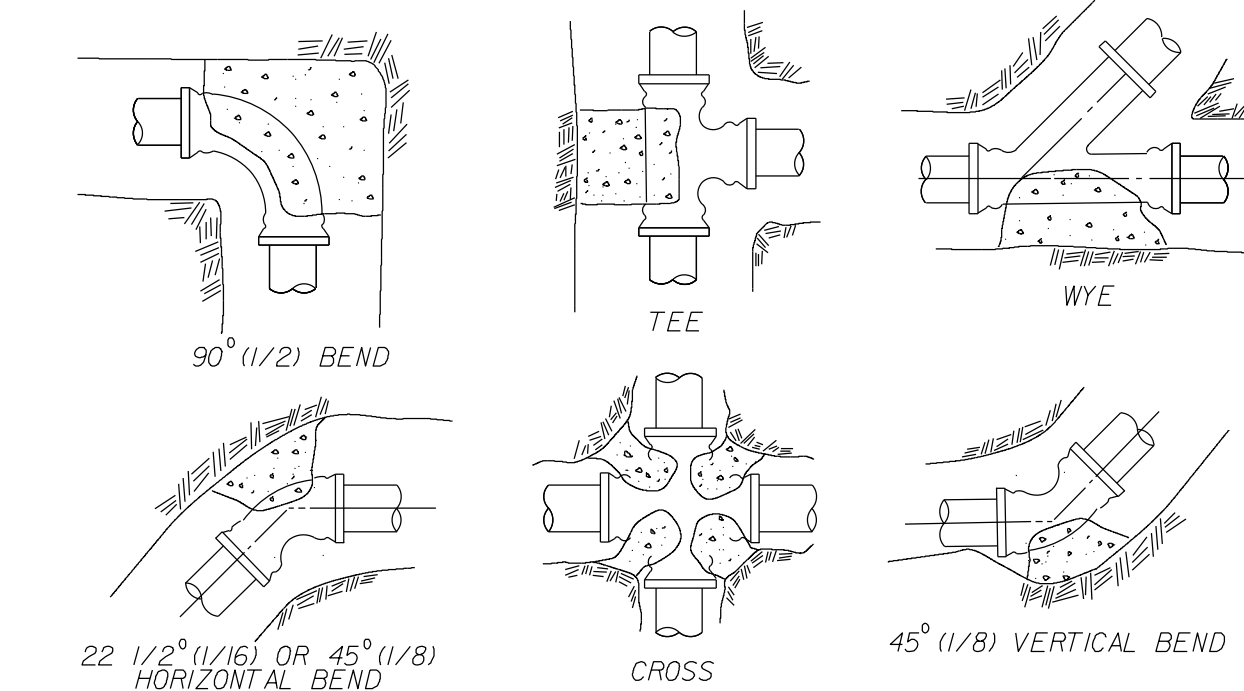


TYPICAL PIPE ENCASEMENT DETAIL



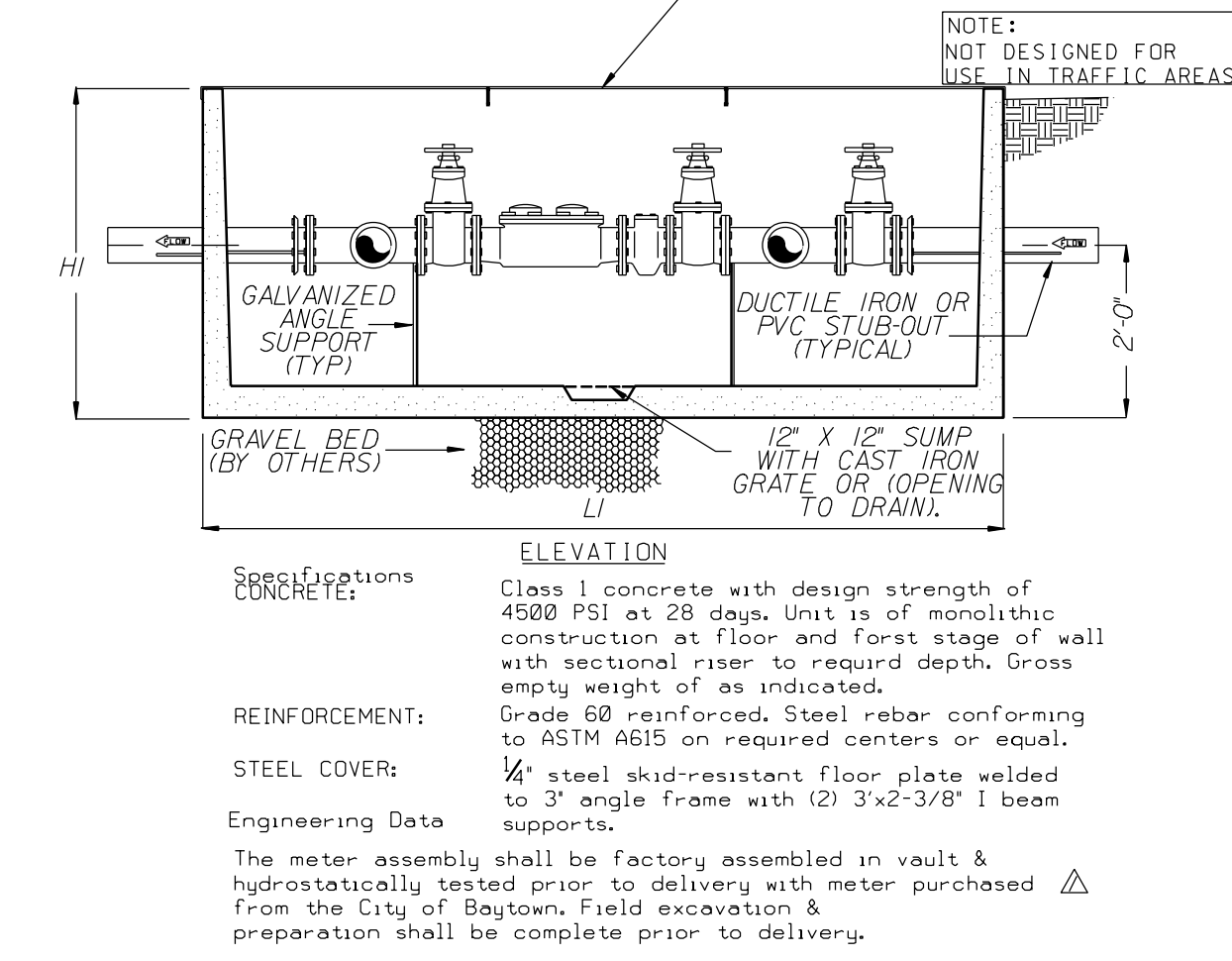
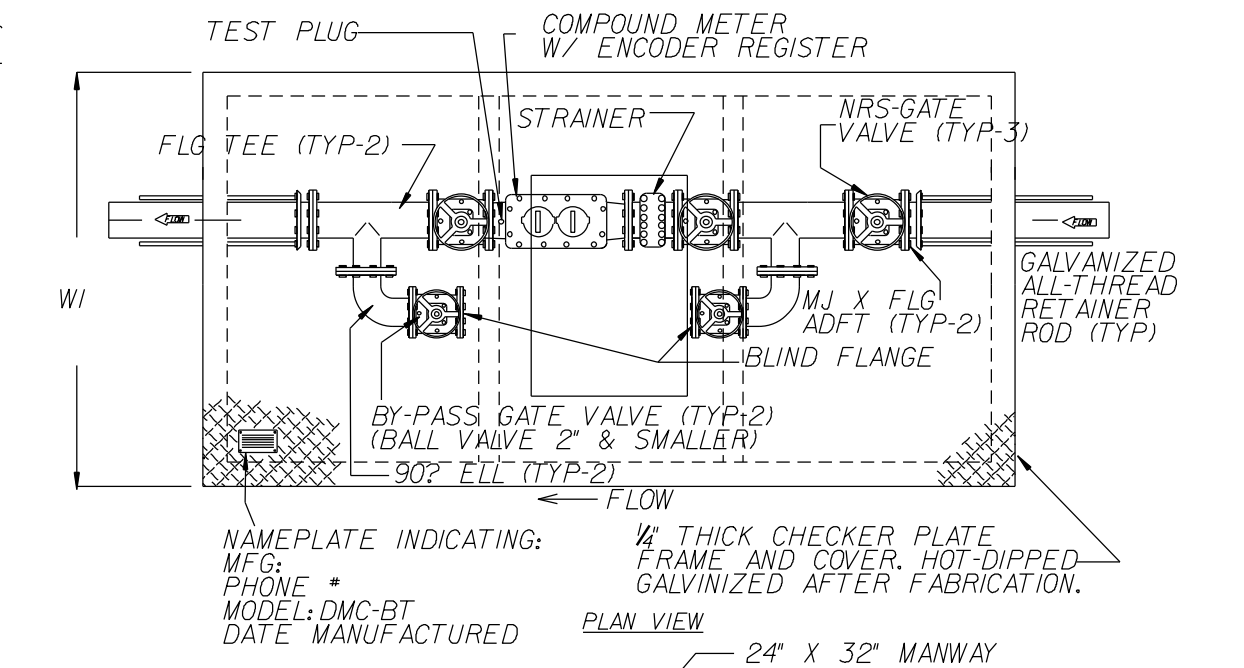
NOTE: PSI (PIPELINE SEAL AND INSULATOR, INC.)

| RACI CASING SPACERS | | | SDR 35 PVC SEWER PIPE | | |
|---------------------|-------------------|--------------------------------------|-----------------------|-------------------|--------------------------------------|
| PIPE SIZE | STEEL CASING DIA. | RACI SPACERS | PIPE SIZE | STEEL CASING DIA. | RACI SPACER |
| 4" | 10" | 2F OR 2N | 6" | 10" | 2F, 1G OR 1M, 1N |
| 6" | 12" | 2F, 1G OR 2M OR 1E, 1H OR 2P | 8" | 12" | 3F, 1G OR 1M, 2N OR 2E, 1H OR 2P, 1Q |
| 8" | 14" | 3F, 1G OR 2M, 1N OR 2E, 1H OR 2P, 1Q | 10" | 16" | 4F OR 3M OR 3E OR 3P |
| 10" | 16" | 4F OR 3M OR 3E OR 3P | 12" | 18" | 5F OR 2M, 2N OR 3E, 1H OR 2P, 2Q |
| 12" | 20" | 5F OR 3M, 1N OR 3E, 1H OR 3P, 1Q | 15" | 22" | 6F OR 3M, 2N OR 4E, OR 3P, 2Q |
| 14" | 22" | 6F OR 4M OR 4E OR 4P | 18" | 24" | 7F OR 5M OR 5E OR 5P |
| 16" | 24" | 7F OR 5M OR 4E, 1H OR 5P | | | |



TYPICAL THRUST BLOCKS

| MODEL | SIZE | DIMENSIONS | | | | WEIGHT LBS. |
|----------|------|------------|-------|-------|--------|-------------|
| | | BLASS | LI | WI | HI | |
| DMC-BT-2 | 2" | 6'-0" | 3'-6" | 4'-0" | 12,000 | |
| DMC-BT-3 | 3" | 1'-1/2" | 8'-8" | 5'-0" | 15,000 | |
| DMC-BT-4 | 4" | 6" | 8'-0" | 5'-0" | 15,000 | |
| DMC-BT-5 | 6" | 11'-0" | 8'-0" | 5'-0" | 18,000 | |
| DMC-BT-6 | 8" | 13'-0" | 7'-0" | 4'-3" | 25,000 | |

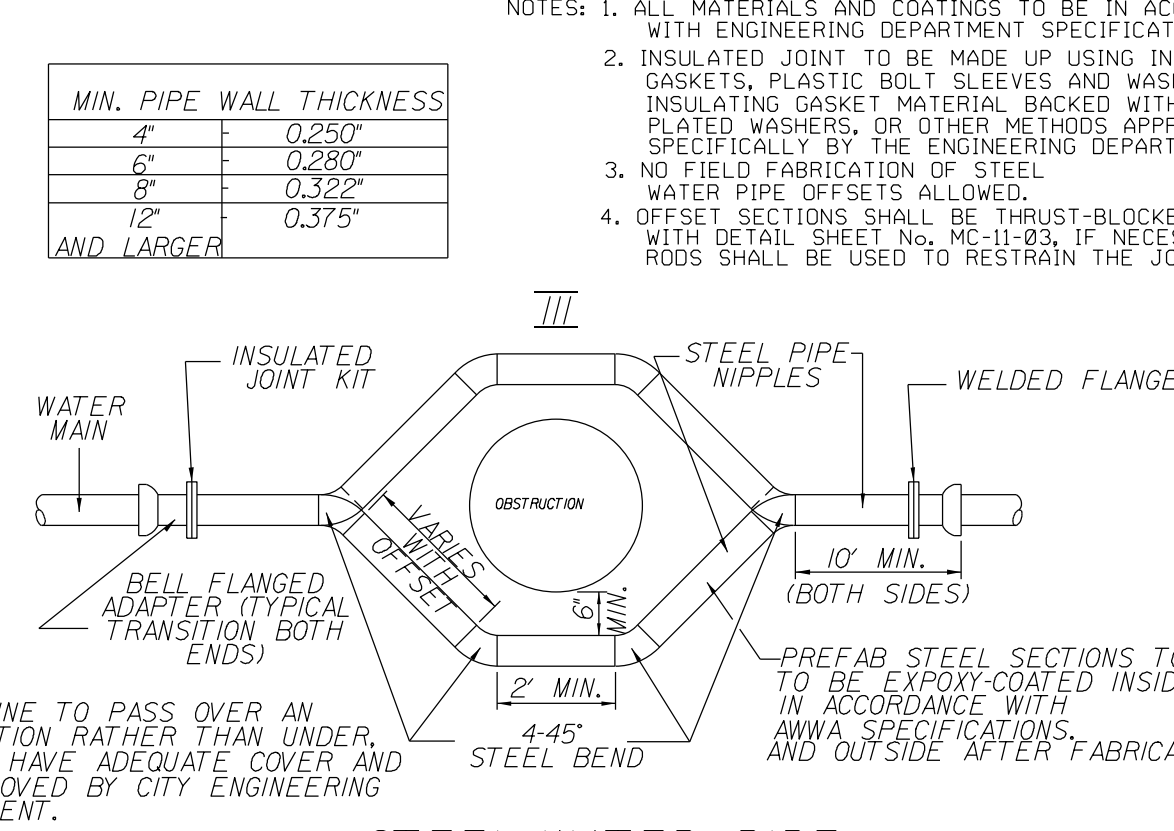


LARGE METER INSTALLATION (2" & UP)

| MIN. PIPE WALL THICKNESS AND LARGER | |
|-------------------------------------|--------|
| 4" | 0.250" |
| 6" | 0.280" |
| 8" | 0.320" |
| 12" | 0.375" |

ALL ANGLED FITTINGS SHALL BE MECHANICAL JOINT WITH THRUST BLOCKS OR RESTRAINED JOINTS USING SIGMA ONE-LOK Series SLICE OR APPROVED EQUAL.

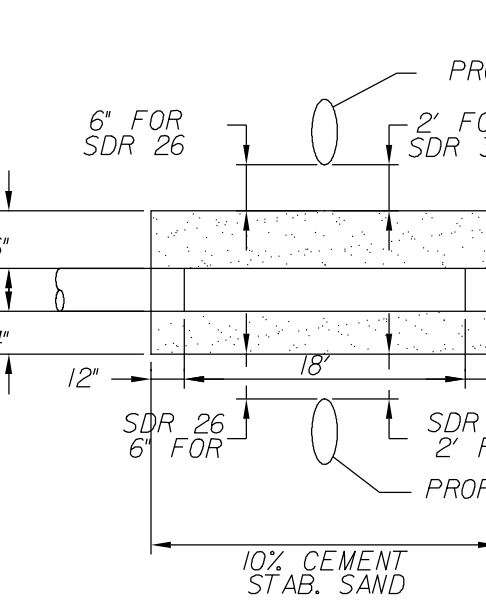
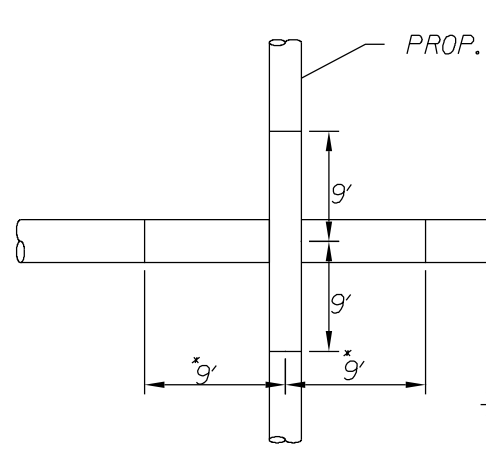
FITTINGS ABOVE GROUND SHALL BE FLANGED.



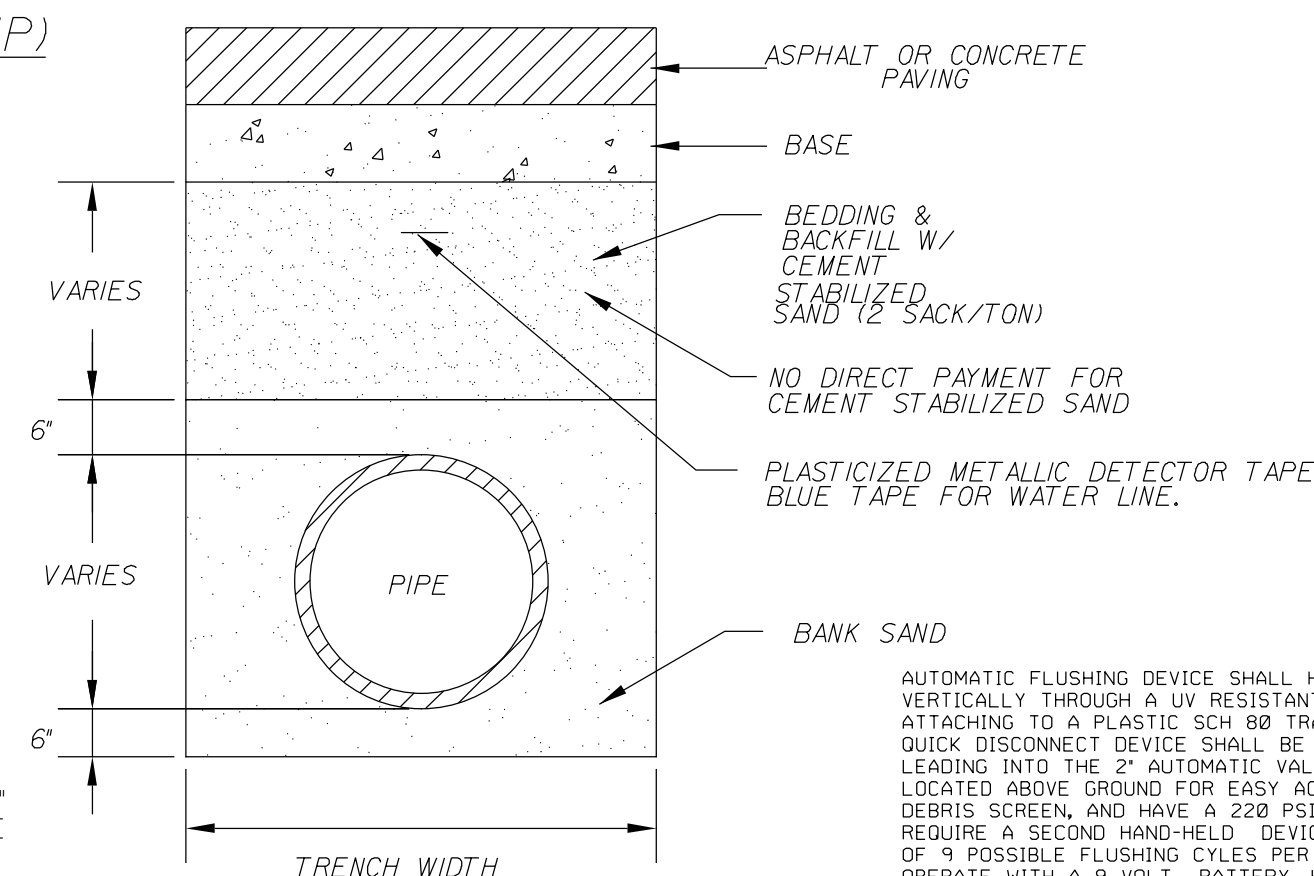
STEEL WATER PIPE OFFSET ASSEMBLY

| FITTING SIZE | TEES & PLUGS | | 90 BEND | | 45 BENDS & WYES | |
|--------------|--------------|--------|---------|--------|-----------------|--------|
| | H | W | H | W | H | W |
| 4" | 1'-2" | 1'-9" | 1'-9" | 1'-6" | 1'-8" | 0'-10" |
| 6" | 2'-0" | 1'-11" | 2'-5" | 2'-2" | 1'-10" | 1'-7" |
| 8" | 2'-8" | 2'-5" | 3'-0" | 3'-0" | 2'-5" | 2'-1" |
| 10" | 3'-4" | 3'-3" | 4'-0" | 3'-10" | 3'-0" | 2'-9" |
| 12" | 4'-0" | 3'-10" | 4'-8" | 4'-8" | 3'-8" | 3'-3" |
| 14" | 5'-5" | 3'-10" | 6'-6" | 4'-11" | 4'-9" | 3'-5" |
| 20" | 5'-0" | 3'-0" | 6'-0" | 6'-0" | 5'-0" | 4'-0" |
| 24" | 6'-0" | 6'-0" | 7'-0" | 7'-0" | 5'-0" | 5'-0" |
| 30" | 7'-6" | 7'-6" | 8'-0" | 8'-0" | 6'-3" | 6'-3" |

| FITTING SIZE | REDUCERS & 22 1/2 BENDS | | 45 BENDS | |
|--------------|-------------------------|--------|----------|-------|
| | H | W | H | W |
| 4" | 1'-7" | 0'-6" | 0'-6" | 0'-6" |
| 6" | 1'-9" | 0'-10" | 1'-0" | 0'-6" |
| 8" | 1'-9" | 1'-6" | 1'-0" | 1'-0" |
| 10" | 2'-2" | 1'-11" | 1'-6" | 1'-0" |
| 12" | 2'-7" | 2'-3" | 2'-0" | 1'-0" |
| 14" | 3'-5" | 2'-5" | 2'-0" | 1'-6" |
| 20" | 3'-6" | 3'-0" | 3'-0" | 2'-0" |
| 24" | 4'-6" | 3'-0" | 3'-0" | 3'-0" |
| 30" | 4'-9" | 4'-6" | 3'-3" | 3'-3" |



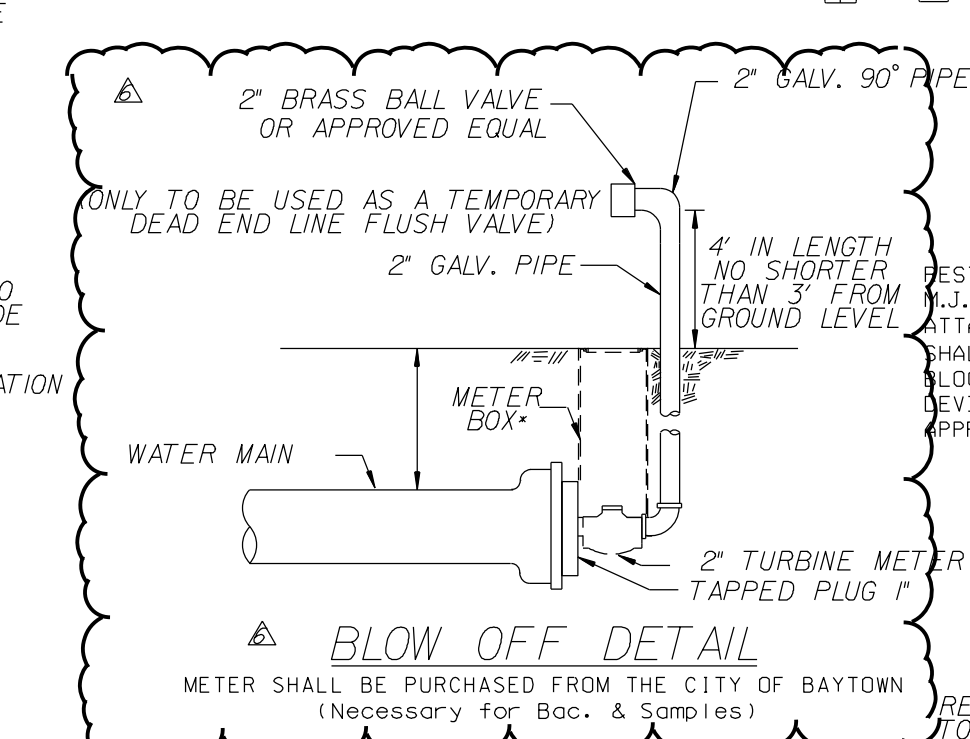
TYPICAL DETAILS WATER AND SANITARY SEWER (SDR 26/SDR 35)



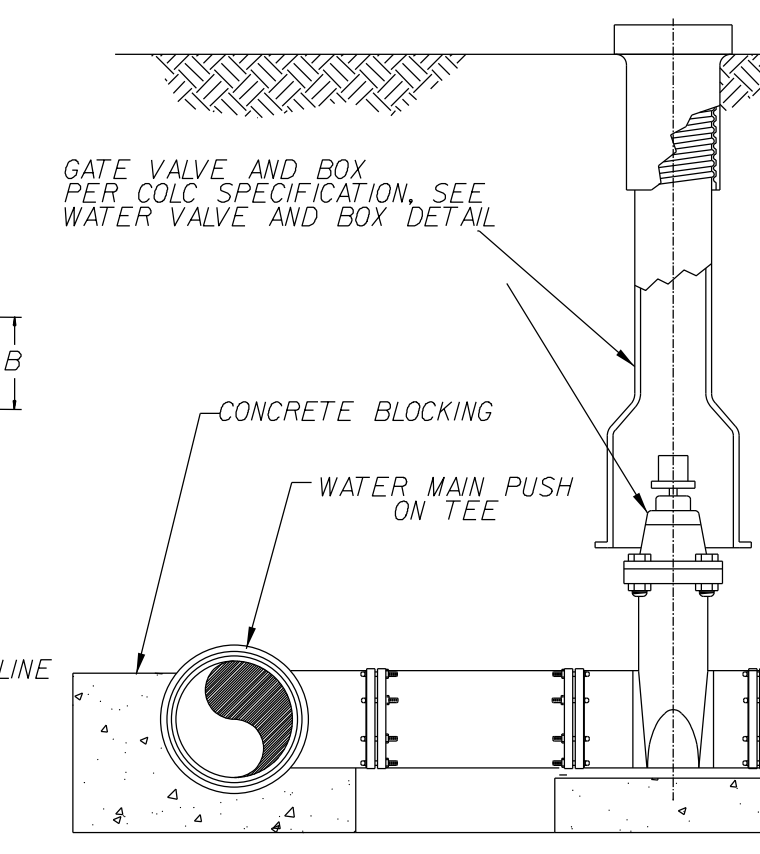
BACKFILL DETAIL WATERLINE UNDER PAVEMENT

| NO. | REVISIONS | DATE |
|-----|--|------------|
| 1 | Revised Blow Off Detail | 08-08-2018 |
| 2 | Added Note Lock Joint Pipe within casing | 08-08-2018 |
| 3 | REVISED NOTE FOR FITTINGS | 2-2-2019 |
| 4 | ADDED BACK TAP DETAIL | 12-2-2017 |
| 5 | REVISED TYPICAL PIPE ENCASEMENT DETAIL | 7-3-2018 |
| 6 | Added Purchased Baytown Meter Notes | 7-3-2018 |
| 7 | Revised Water Detail Sheet | 11-26-2017 |

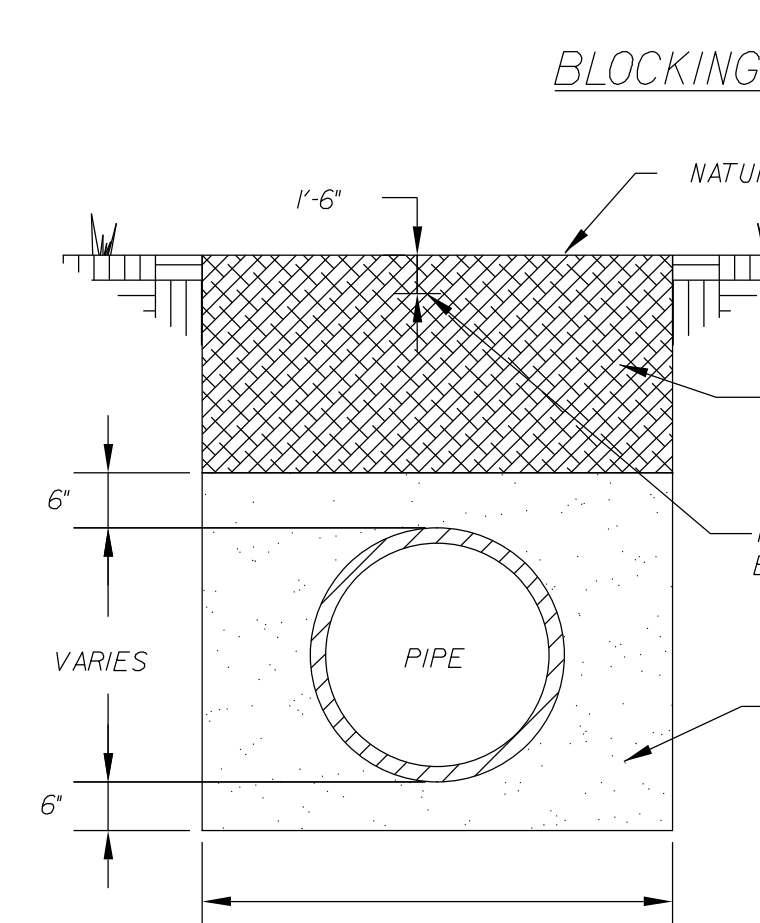
1. ALL MATERIALS AND COATINGS TO BE IN ACCORDANCE WITH ENGINEERING DEPARTMENT SPECIFICATIONS
2. INSULATED JOINT TO BE MADE UP USING INSULATING GASKETS, PLASTIC BOLT SLEEVES AND WASHERS OF INSULATING GASKET MATERIAL BACKED WITH ZINC PLATED WASHERS, OR OTHER METHODS APPROVED SPECIFICALLY BY THE ENGINEERING DEPARTMENT.
3. NO FIELD FABRICATION OF STEEL WATER PIPE OFFSETS ALLOWED.
4. OFFSET SECTIONS SHALL BE THRUST-BLOCKED IN ACCORDANCE WITH DETAIL SHEET No. MC-11-03. IF NECESSARY ALL THRU RODS SHALL BE USED TO RESTRAIN THE JOINTS.



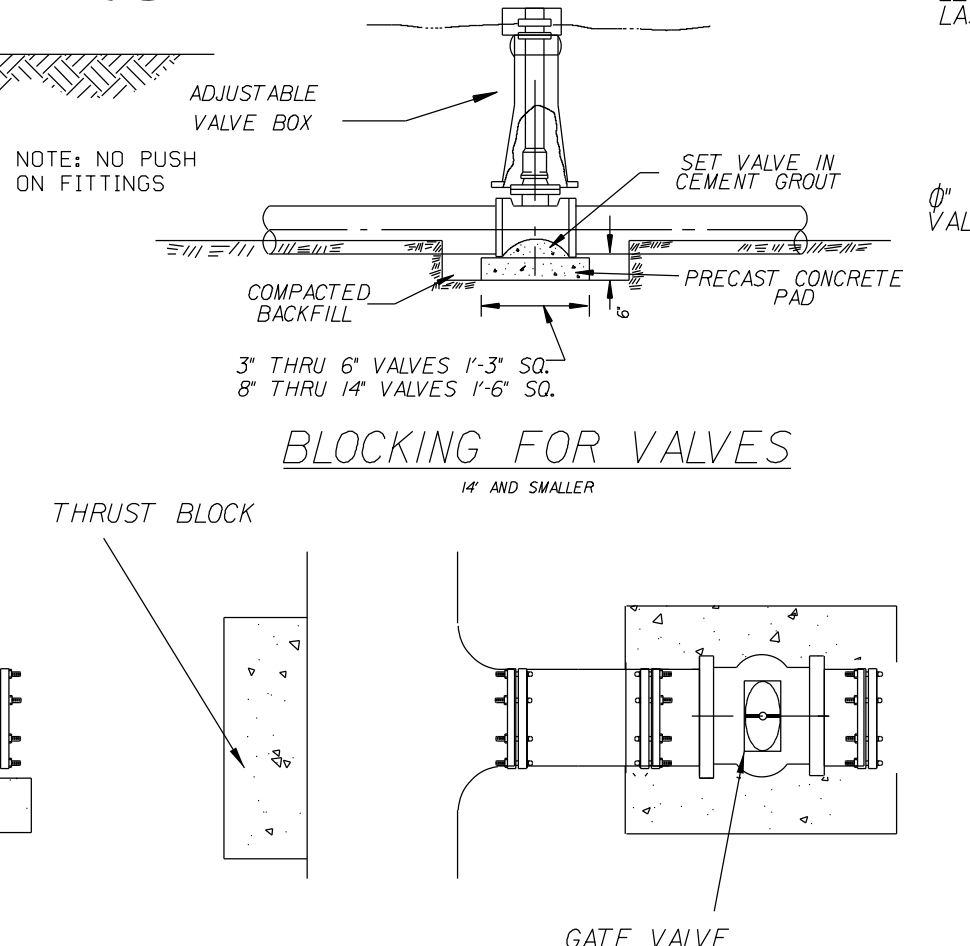
BLOW OFF DETAIL



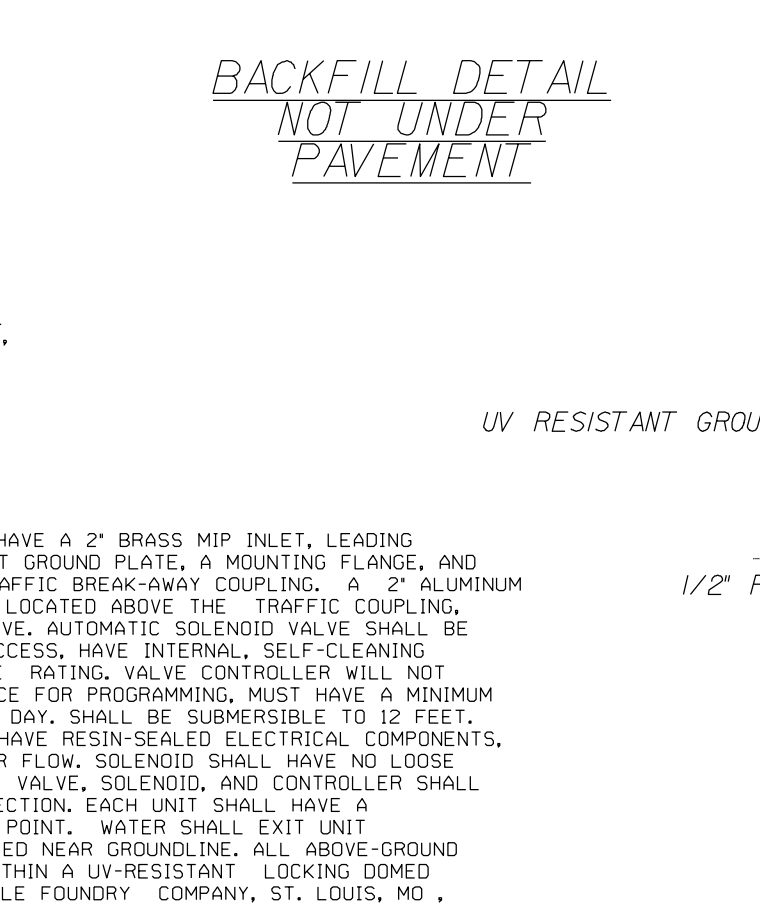
BLOCKING FOR VALVES



BLOCKING FOR GATE VALVES

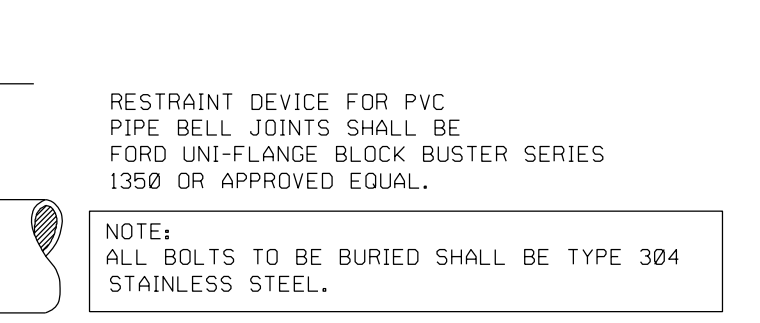
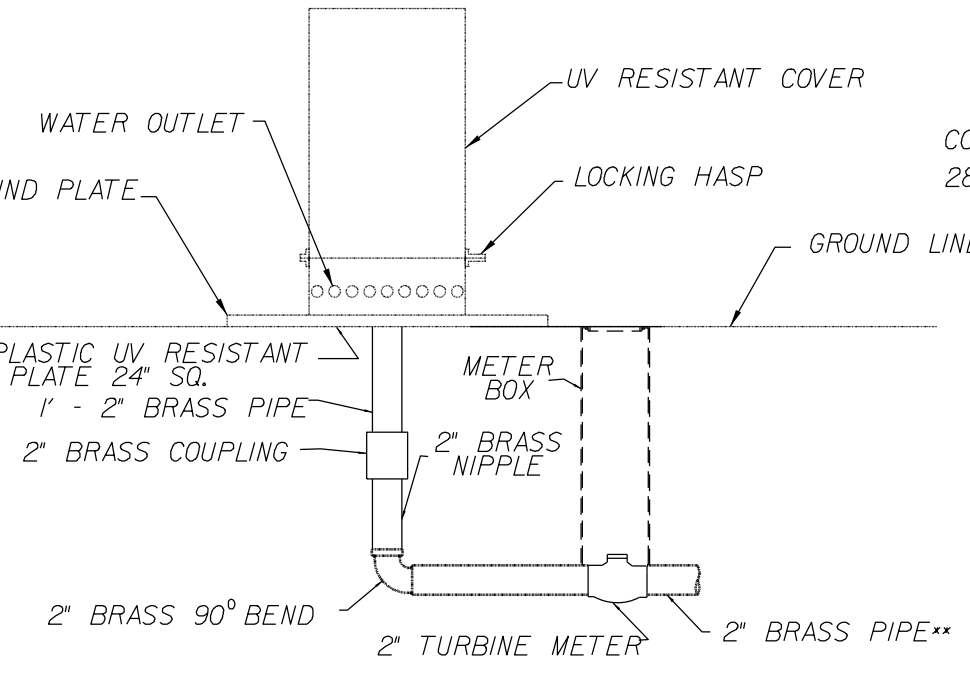


BACK TAP ON EXISTING LINE

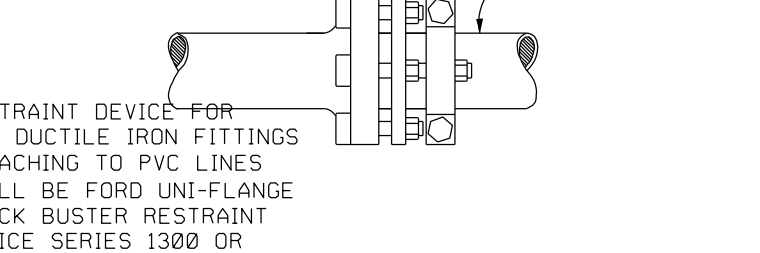


WATER VALVE BLOCKOUT

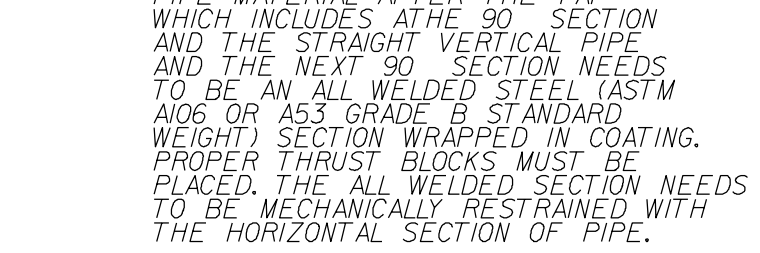
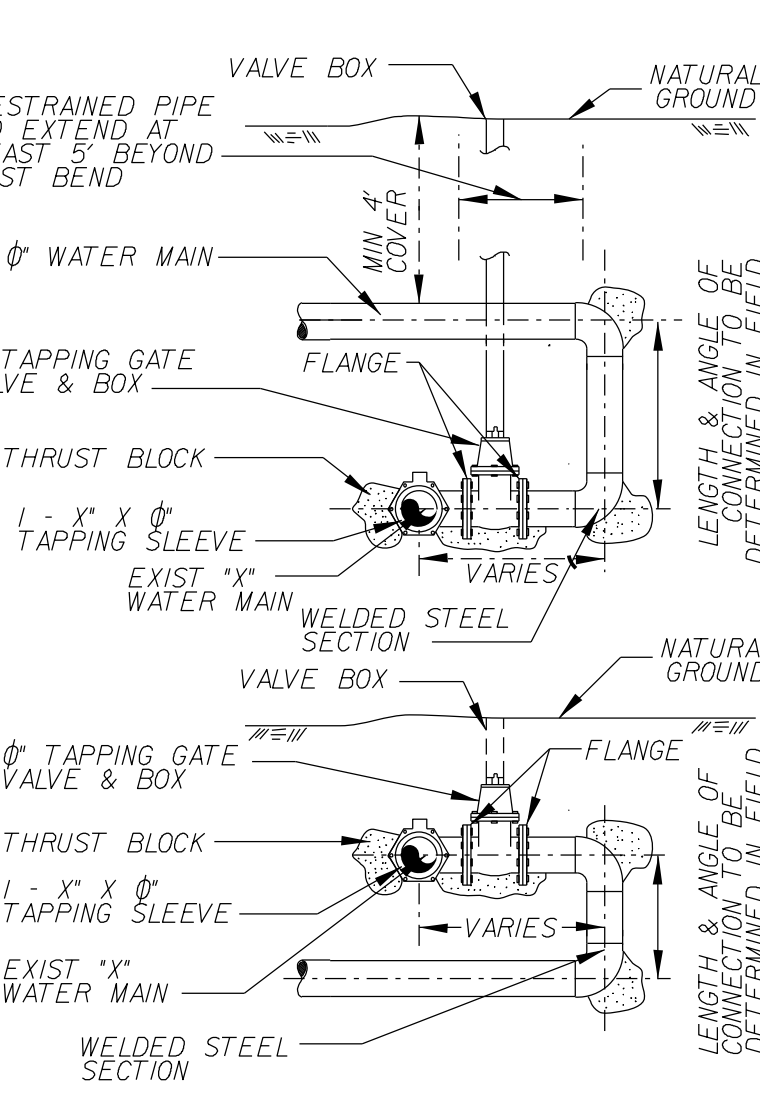
METER SHALL BE PURCHASED FROM THE CITY OF BAYTOWN *9400 - WC AUTOMATIC FLUSHING DEVICE (WARM CLIMATES ONLY)



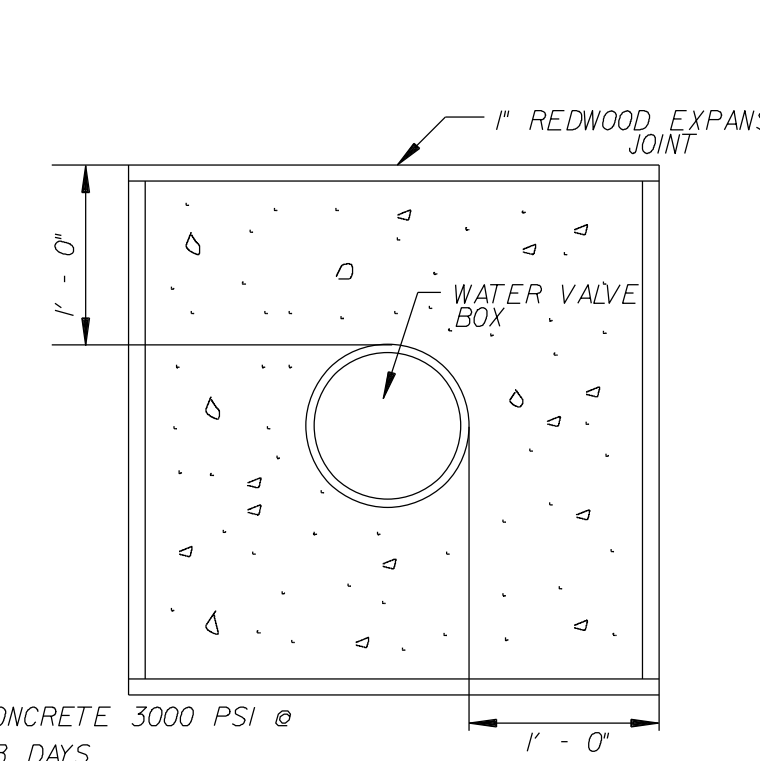
RESTRAINT DEVICE FOR PVC BELL JOINTS SHALL BE FORD UNI-FLANGE BLOCK BUSTER SERIES 1300 OR APPROVED EQUAL.



USE RESTRAINED JOINTS WHERE INDICATED ON PLANS

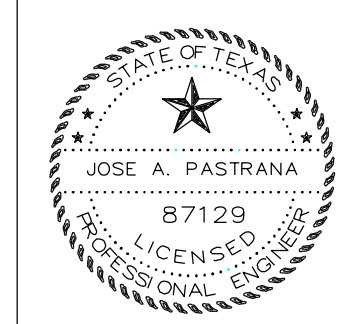
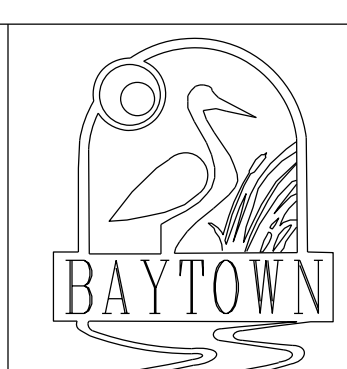


BACK TAP ON EXISTING LINE



WATER VALVE BLOCKOUT

CITY OF BAYTOWN
ENGINEERING DEPARTMENT



| STANDARD SUBDIVISION WATER DETAILS | |
|------------------------------------|------------------|
| CHECKED BY: R.E.C. | SCALE: N.T.S. |
| DRAWN BY: E.M.B. | DATE: 08-08-2018 |